

June

RI

Hodges

TBD



CM 09-14

Eye Of The Tiger

RULES: USPSA Rule Book, Current Edition

COURSE DESIGNER: Russell Cluver

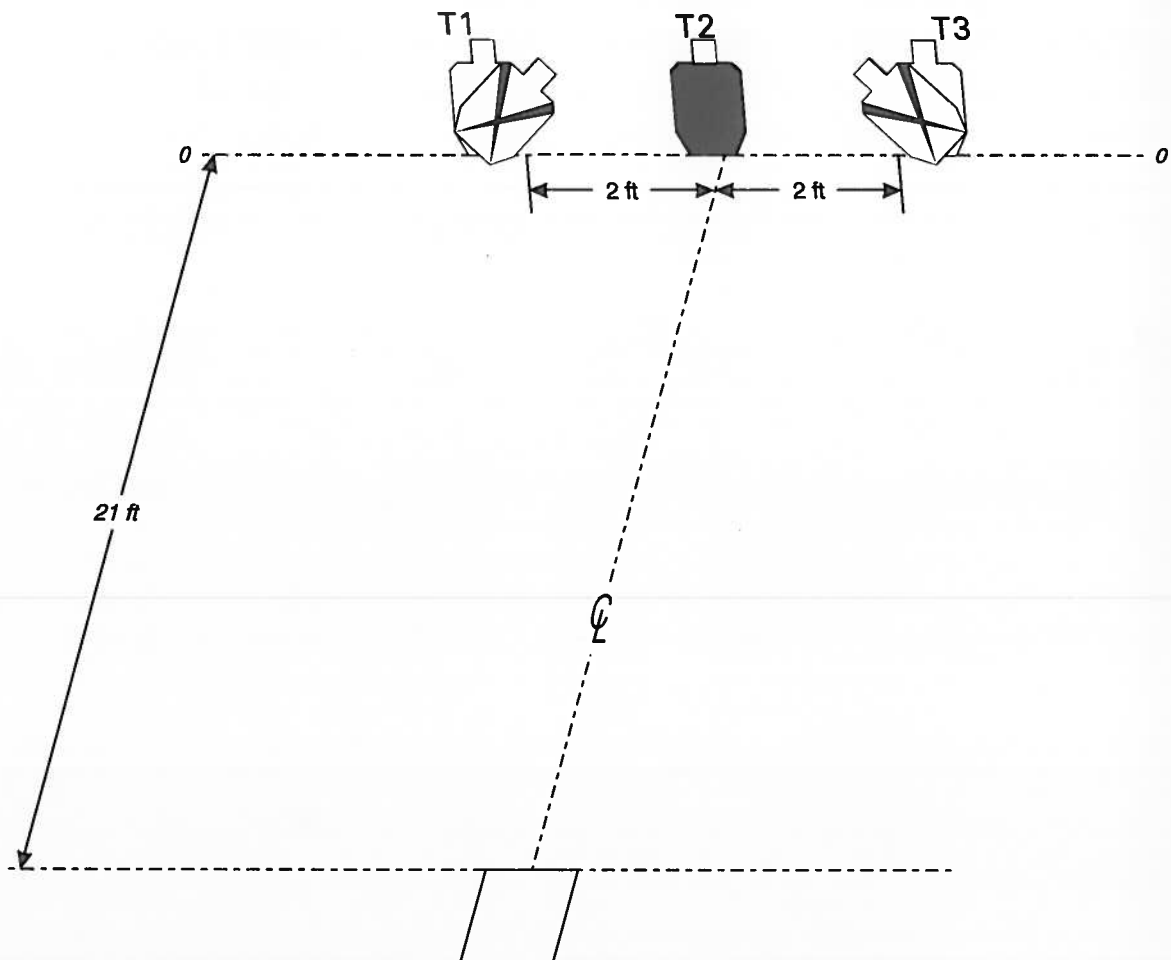
START POSITION: Standing in shooting area facing directly uprange, toes against the back of the box, hands relaxed at sides. Handgun is loaded and holstered as per ready condition in rule 8.1.1 and 8.1.2.

STAGE PROCEDURE

On signal, turn, then draw and engage targets with only two rounds each from the shooting area.

SCORING

SCORING: Virginia Count, 6 rounds, 30 points
TARGETS: 3 IPSC
SCORED HITS: Best 2/paper
START - STOP: Audible - Last shot
PENALTIES: Per current edition of USPSA Rule Book.



SETUP NOTES: Set paper targets to 5 feet high at shoulders. Shooting box is 3 feet by 3 feet. No-shoots are angled at 45 degrees to shoot targets. Overlay the top shoulder point of the no-shoots with the top shoulder



point of each target. The 45-degree shoulder angle should be parallel with the top horizontal edge of each target.

may R2 Compton

May

R3

Estler

TBD

June 19, 2016

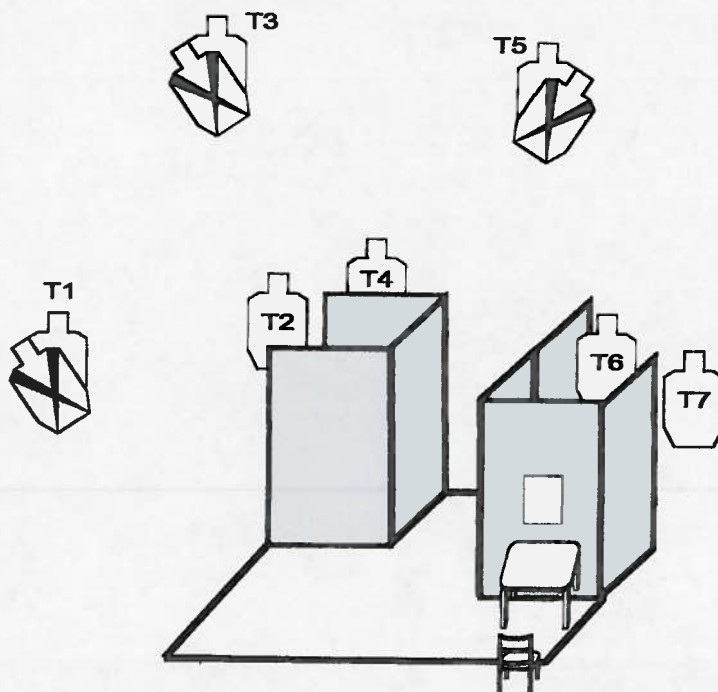
Range 4

2015 USPSA PRODUCTION NATIONALS Stage 1

Load It

Course Designer: Ray Hirst

- Start Position:** Sitting in chair hands on knees unloaded gun on table.
- Procedure:** Upon start signal, load gun and engage all targets as visible, from the area indicated.
- Scoring:** Comstock, 14 rounds, 70 points
- Targets:** 7 Metric,
- Scored Hits:** Best 2/paper.
- Start - Stop:** Audible - Last Shot
- Penalties:** Per current edition of USPSA Rule Book.



SPONSORED BY:

Stevens



The Emperor (Julius' Seizure)

RULES: Practical Shooting Handbook, Latest Edition **COURSE DESIGNER:** Jeff Maass (OH)

START POSITION: Standing in Box A, back to targets, hands relaxed at sides.

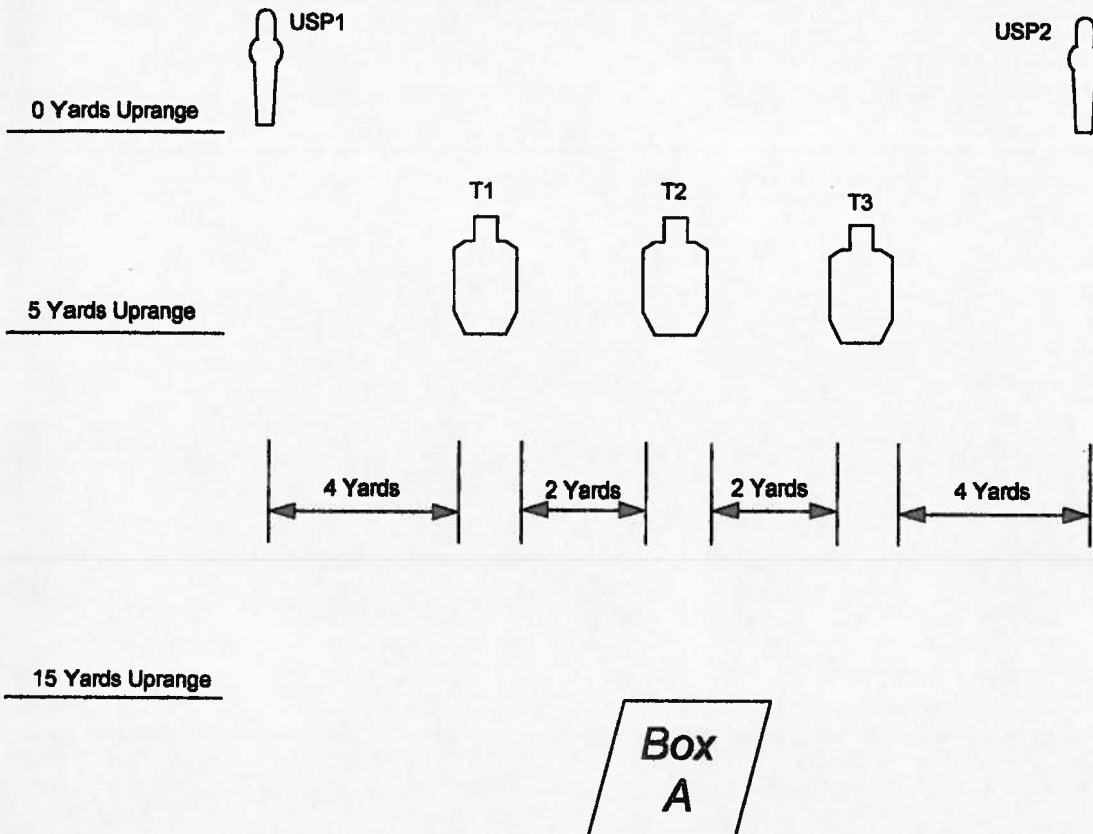
STAGE PROCEDURE

On signal, turn, draw, and engage **ONLY ONE** steel target and T1 - T3 with two rounds each, perform a mandatory reload, then engage the remaining steel target and re-engage T1 - T3 with two rounds each. All shooting must be done from Box A, and targets may be engaged in any order.

One procedural penalty per shot fired following missed reload.

SCORING

SCORING: Virginia count, 14 rounds, 70 points
TARGETS: 3 IPSC, 2 USP
SCORED HITS: Best 4 per target, KD = A
START-STOP: Audible - Last shot
PENALTIES: Procedural. -10
Extra shot. -10
Extra hit. -10
Miss. -10



SETUP NOTES:

T1, T2, and T3 are 5-feet at the shoulder.

jam 980224f

6/19 Sturg R5

May

R. C.

Davis

TBD